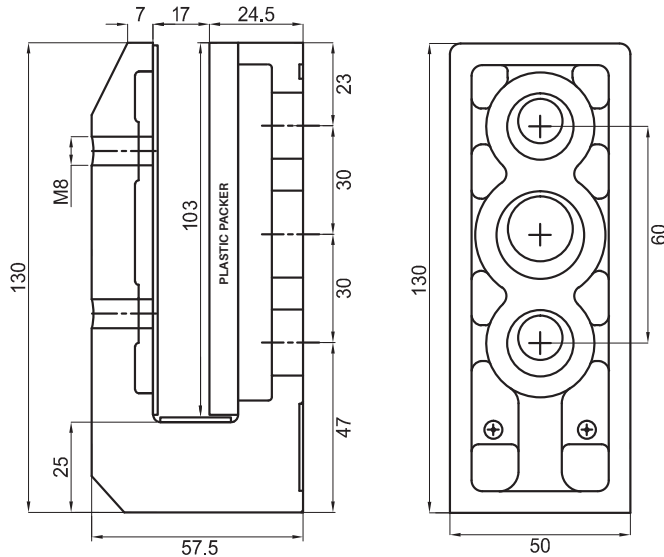


Vertical Spigot Range SS2205



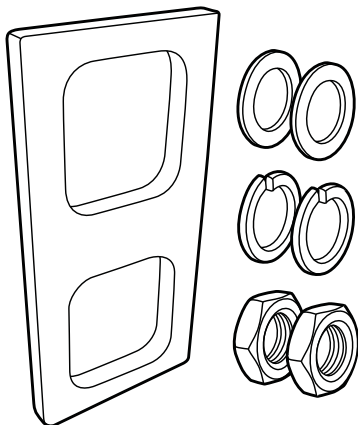
Vertical

WALL MOUNT CLAMP
Polish or satin finish

Order Code: [MAD-VC-P \(Polish\)](#)
[MAD-VC-S \(Satin\)](#)

Advantages

- Stainless steel 2205 in polish or satin finish
- Face mount spigot: Can be fixed to concrete, timber, beams or bearers
- A fast and easy alternative to glass standoffs
- Suits 12mm glass friction fit
- Ideal for narrow concrete slab installations with single central fixing
- Earthing terminal included for installations near waters edge
- Fixing kits sold separately
- Pool fencing and balustrade compliant. Contact us for load test reports
- Tilting packer tapered from 0.8mm to 1.3mm included to assist installation
- Eccentric rear bush included allows for vertical and horizontal adjustment when installing



Timber/beam fixing kit

Order Code: [MAD-M12KIT](#)

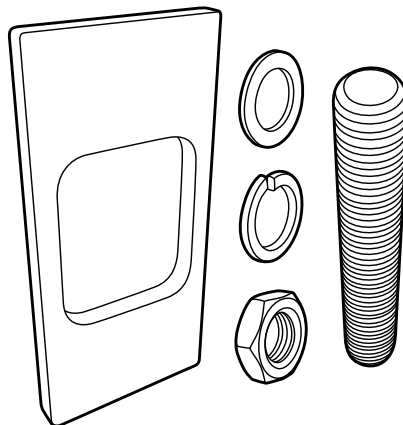
Kit includes:

- 2x flat washers & 2x spring washers
- 2x nuts
- 1x 6.5mm thick packer

*M12 lag screws sold separately

For timber fixing, purchase as required separately 93mm, 115mm or 160mm lag screws (2 per spigot)

For steel beam fixing, M12 threaded rod and rear lock off nuts can be used

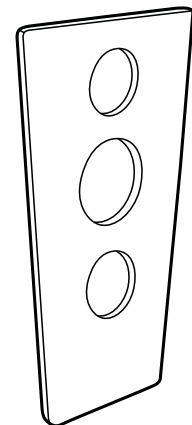


Concrete fixing kit

Suits installation into concrete
Use appropriate chemical anchor
Order Code: [MAD-M18KIT](#)

Kit includes:

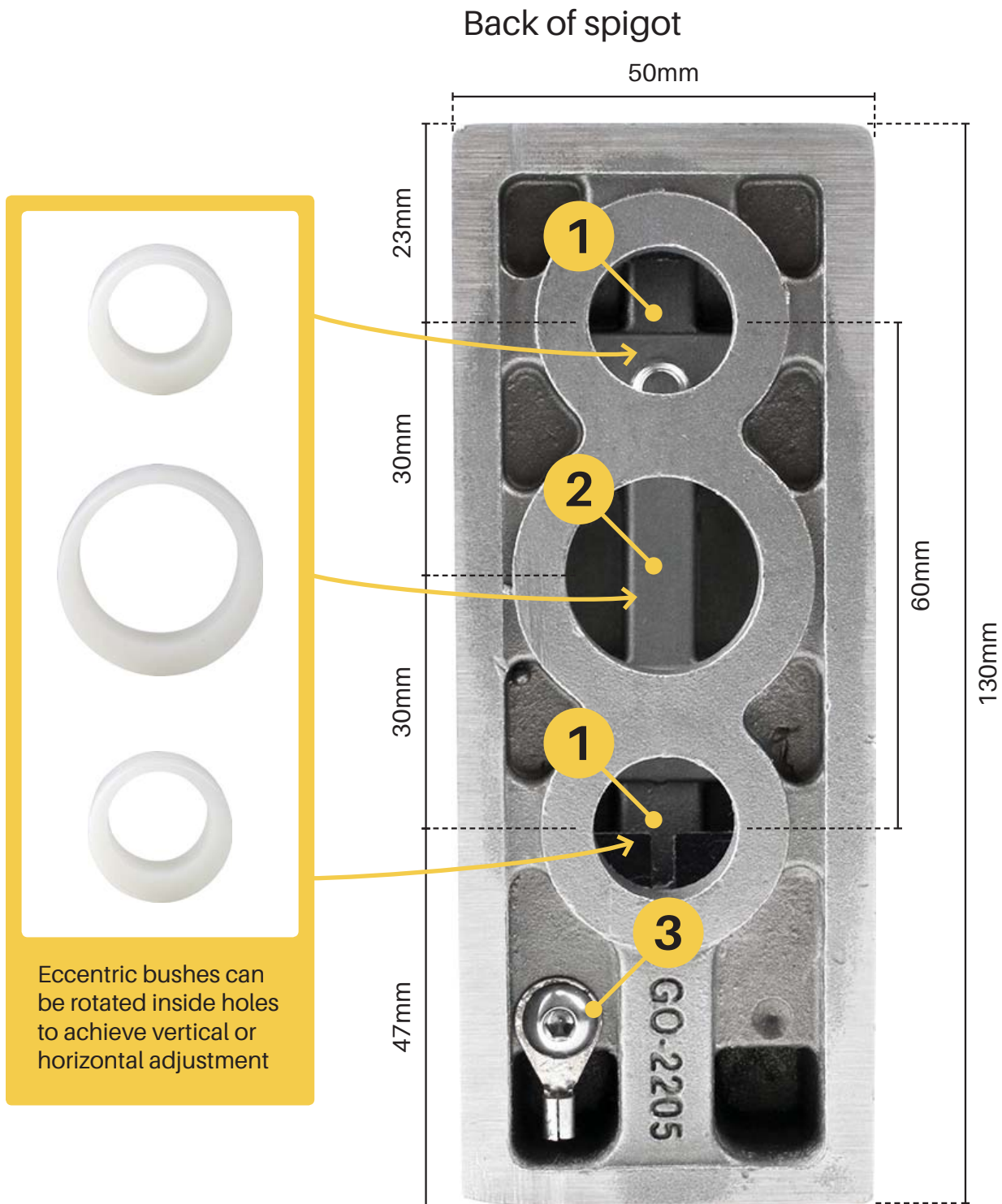
- 1x M18x120mm threaded rod
- 1x flat washer & 1x spring washer
- 1x nut
- 1x 6.5mm thick packer



2.5mm thick back packer

Packer can be used for out of plumb walls to pack out rear of Madrid vertical spigot
Order Code: [MAD-PACKER](#)

Vertical Spigot Dimensions



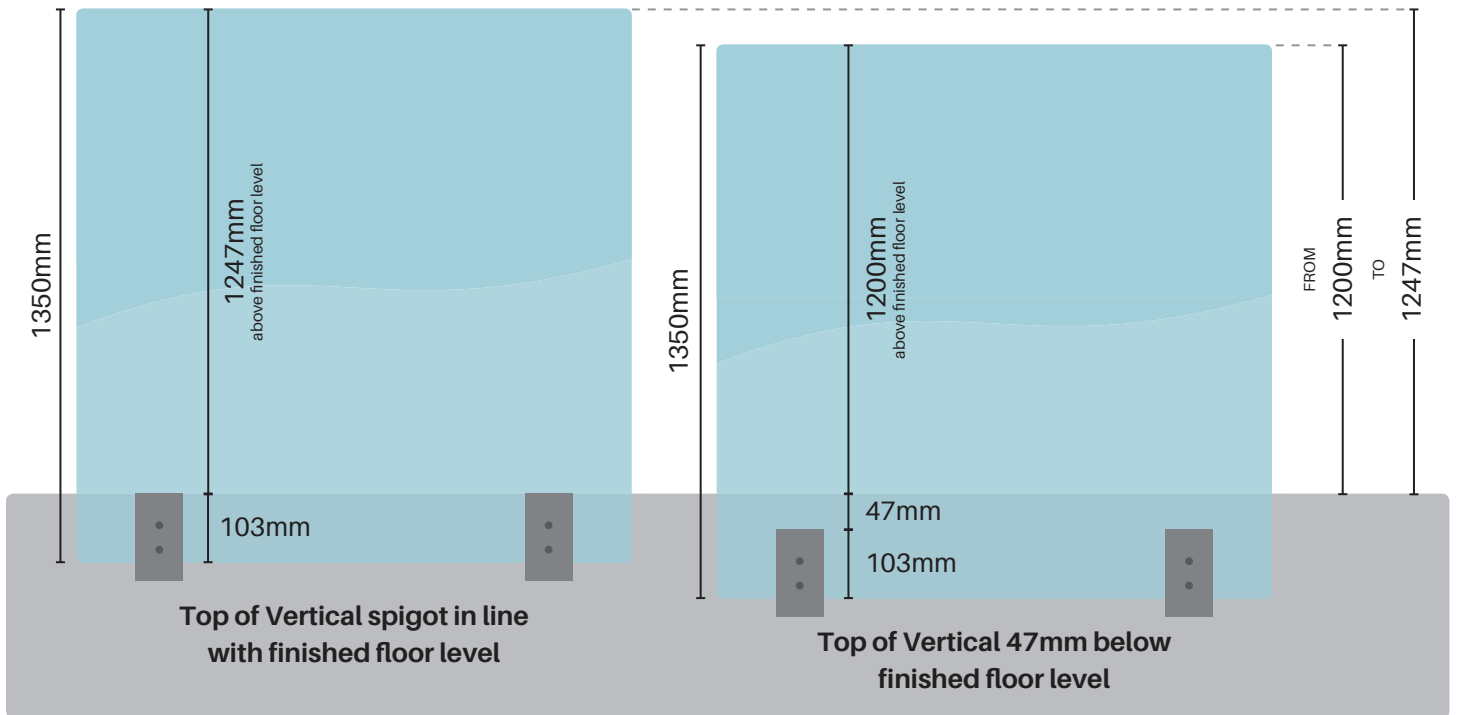
1 Top and bottom hole - use with M12 lag screws or threaded rod for timber or joist fixing. Spigot comes with eccentric bush which allows adjustment up/down and sideways when installing

2 Middle hole for concrete/slab installations comes with eccentric bush which allows adjustment up/down and sideways when installing

3 Earthing terminal provided for installations near water's edge

Vertical Spigot Install tips

Using 1350mm high clear toughened **pool fencing** panels



47mm vertical adjustability

by moving install position of Madrid Vertical spigot



Glass fits 103mm into spigot throat



Need more vertical adjustment?

A further packer can be placed at the base of the throat to raise glass panels up to a further 10mm

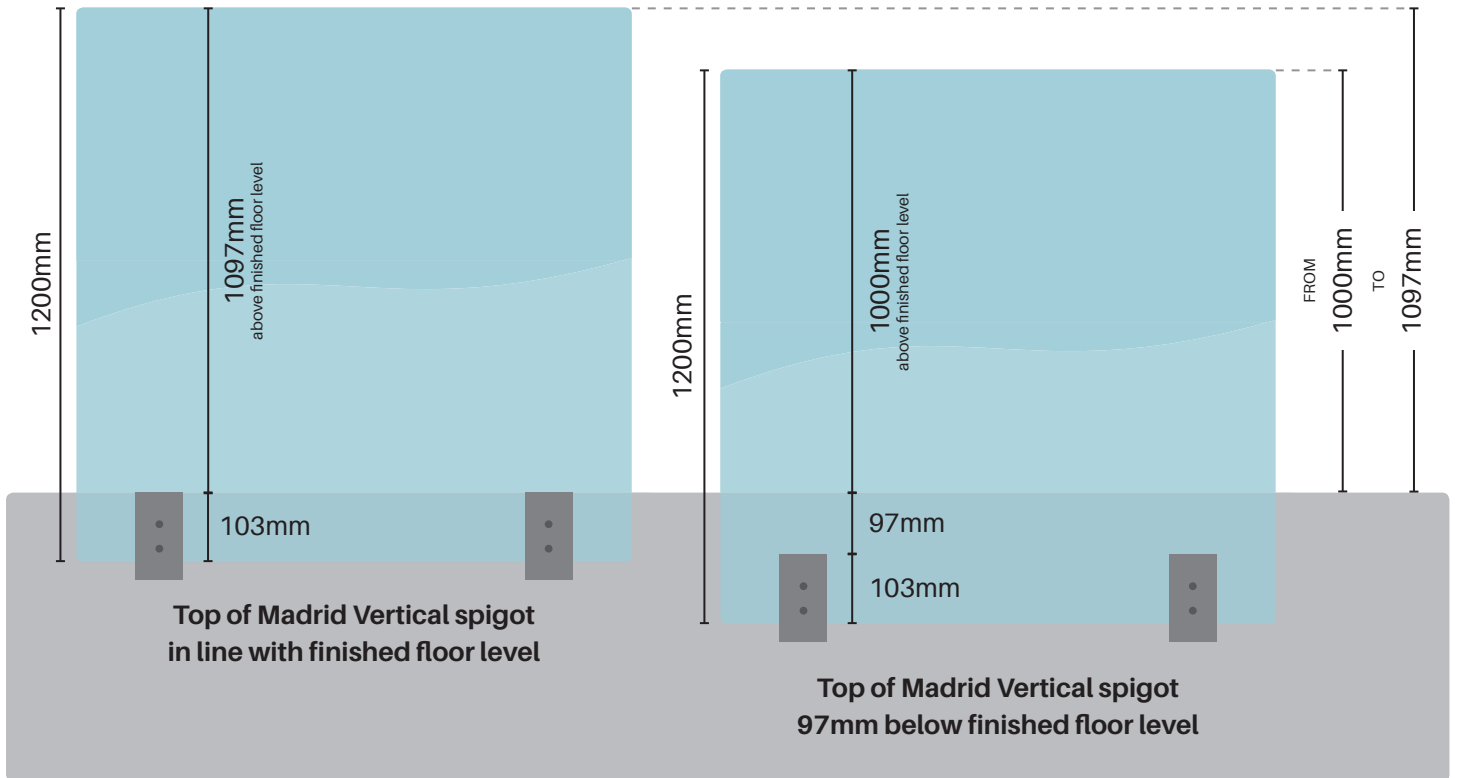


Stocked glass range includes 1350mm high 800mm, 1000mm, 1200mm, 1300mm, 1400mm, 1500mm & 1600mm wide

Vertical Spigot Install tips

Using 1200mm high clear toughened **balustrade** panels

NOTE: Handrail is required for balustrade installations



97mm vertical adjustability

by moving install position of Madrid Vertical spigot



Glass fits 103mm into spigot throat



Need more vertical adjustment?

A further packer can be placed at the base of the throat to raise glass panels up to a further 10mm

Timber install guide

What you need for 1x clamp

1x Madrid vertical clamp

1x Timber fixing kit → **KIT INCLUDES:**

2x M12 hex drive 93mm lag screw

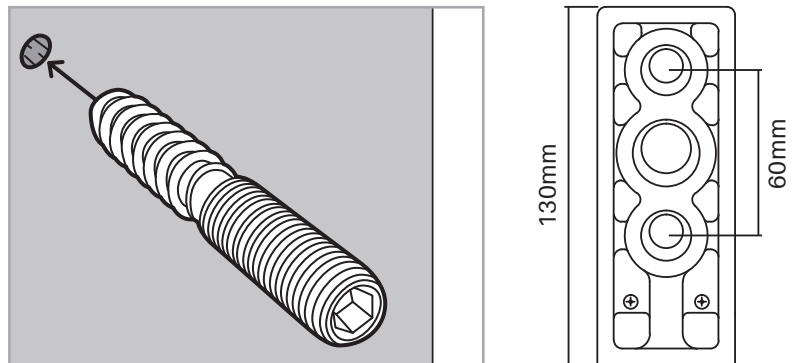
2x Flat washers

2x Spring washers

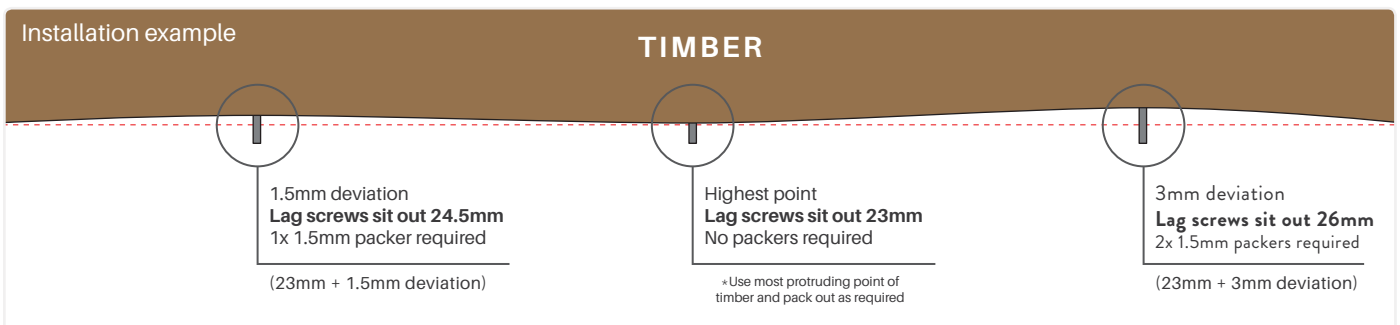
2x Nuts (to suit M12 thread)

1x 6.5mm packer with 2 cutouts

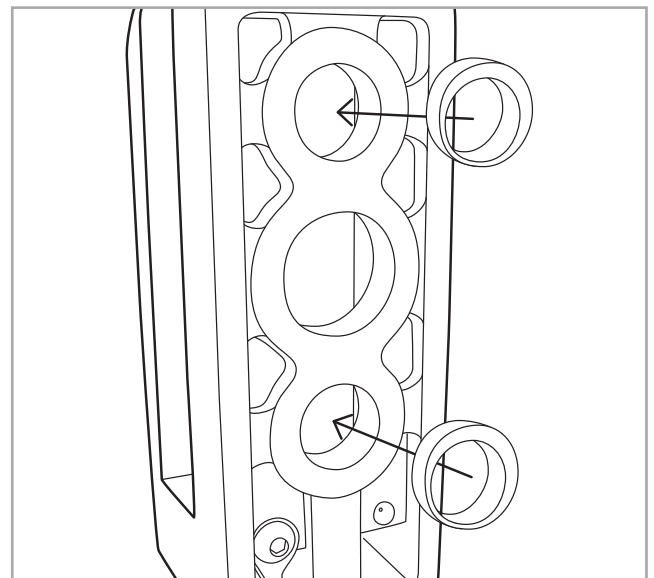
- 1** Pre-drill 2x pilot holes into timber where spigots will be installed (Hole centres are 60mm).
Drive 2x M12 lag screws into pilot holes and ensure thread is sitting out from the timber 23mm.
(or as required subject to below diagram)



NOTE: Attach a stringline to the timber surface from where the first clamp is being installed to where the last clamp is being installed and note any variance in slab deviation. Refer to below example for further information.



- 2** Insert 2x offset washers into top and bottom holes on the back of the spigot. Discard large offset washer.
The offset washers can be rotated inside top and bottom holes to achieve vertical or horizontal adjustment.

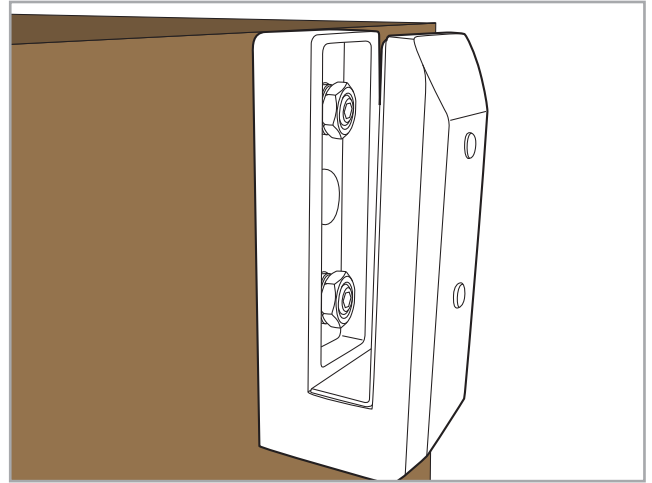
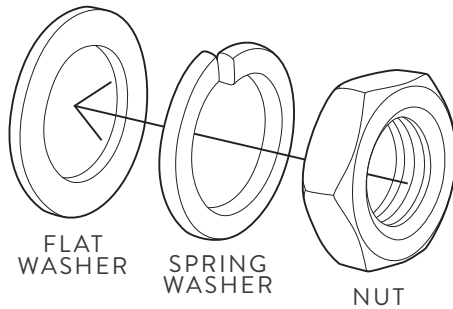


Timber install guide

3

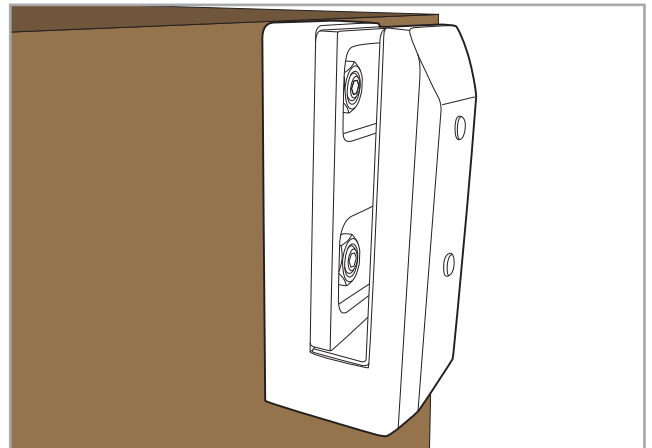
Slide spigot with offset washers onto lag screws and tighten nuts over flat washers and spring washers

*Nut requires 19mm open ended/ring spanner



4

Take 6.5mm packer with 2x top and bottom cutouts, remove 2x pieces of double sided tape and fit inside throat of spigot over 2x lag screws with nuts



Tips!

Wedge packers can be used in throat of spigot or behind spigot to achieve tilt adjustment

An extra 4mm bottom packer is included which can be used for vertical adjustment

Handy earthing point located at back of spigot for added safety

Friction plate is recessed for easy glass installation

Joist/beam install guide

What you need for 1x clamp

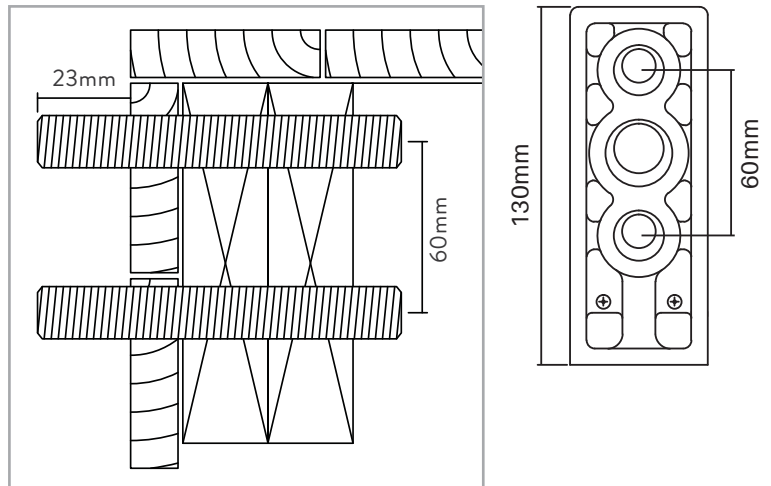
1x Madrid vertical clamp
 1x Timber fixing kit
 2x M12 x120mm rod (or longer as needed)
 2x M12 nuts with spring washers (purchase from nut and bolt shop)

KIT INCLUDES:

2x Flat washers
 2x Spring washers
 2x Nuts (to suit M12 thread)
 1x 6.5mm packer with 2 cutouts

1

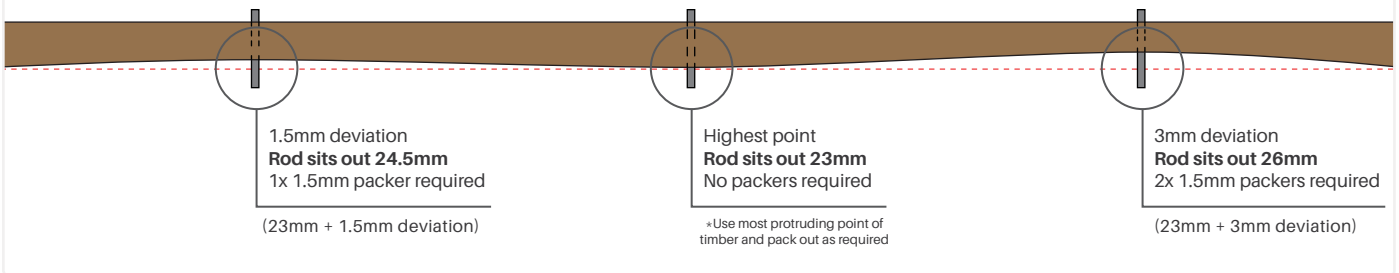
Pre-drill 2x 12.5mm or 13mm holes through joist/beam (hole centres are 60mm)
 Insert threaded rods and leave 23mm of thread protruding from face of joist/beam (or as required subject to below diagram).
 Ensure enough thread is left protruding from the back of the joist/beam for an M12 nut with washer to be affixed.



NOTE: Attach a stringline to the surface from where the first clamp is being installed to where the last clamp is being installed and note any variance in slab deviation. Refer to below example for further information.

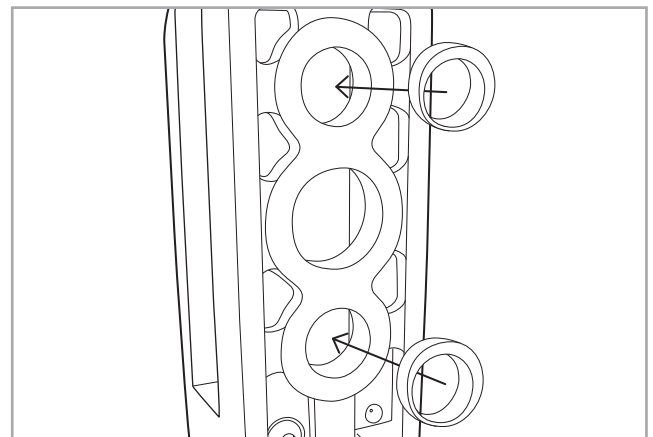
Installation example

JOIST/BEAM



2

Insert 2x offset washers into top and bottom holes on the back of the spigot. Discard large offset washer.
 The offset washers can be rotated inside top and bottom holes to achieve vertical or horizontal adjustment.



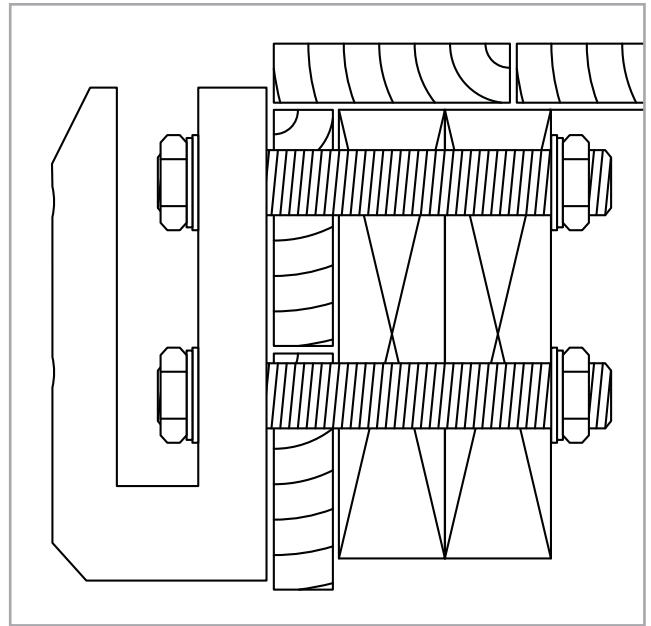
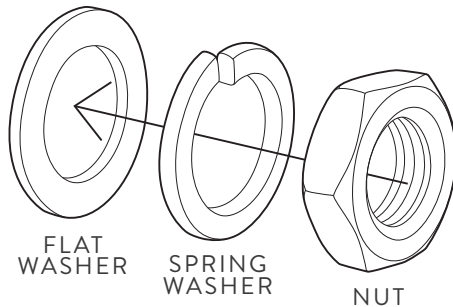
Joist/beam install guide

3

Slide spigot with offset washers onto lag screws and tighten nuts over flat washers and spring washers

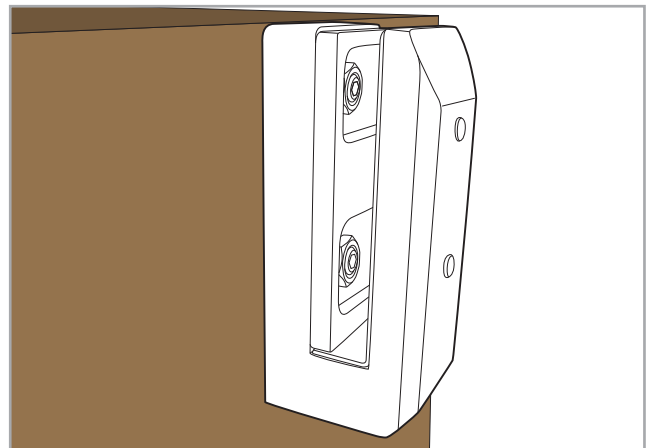
*Nut requires 19mm open ended/ring spanner

On backside of joist/beam, place spring washers and nuts onto rods and fully tighten.



4

Take 6.5mm packer with 2x top and bottom cutouts, remove 2x pieces of double sided tape and fit inside throat of spigot over 2x lag screws with nuts



Tips!

Wedge packers can be used in throat of spigot or behind spigot to achieve tilt adjustment

An extra 4mm bottom packer is included which can be used for vertical adjustment

Handy earthing point located at back of spigot for added safety

Friction plate is recessed for easy glass installation

Alternative joist/beam install guide

What you need for 1x clamp

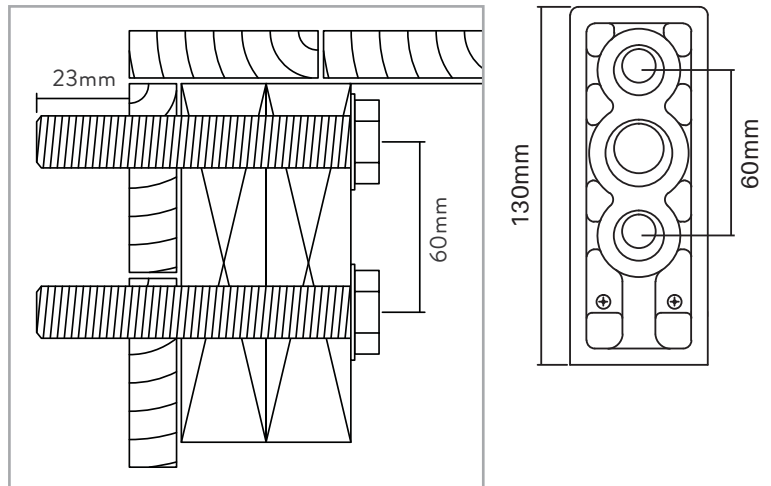
1x Madrid vertical clamp
1x Timber fixing kit
2x Hex head M12 bolts & washers
(purchase from nut and bolt shop)

→ **KIT INCLUDES:**

2x Flat washers
2x Spring washers
2x Nuts (to suit M12 thread)
1x 6.5mm packer with 2 cutouts

1

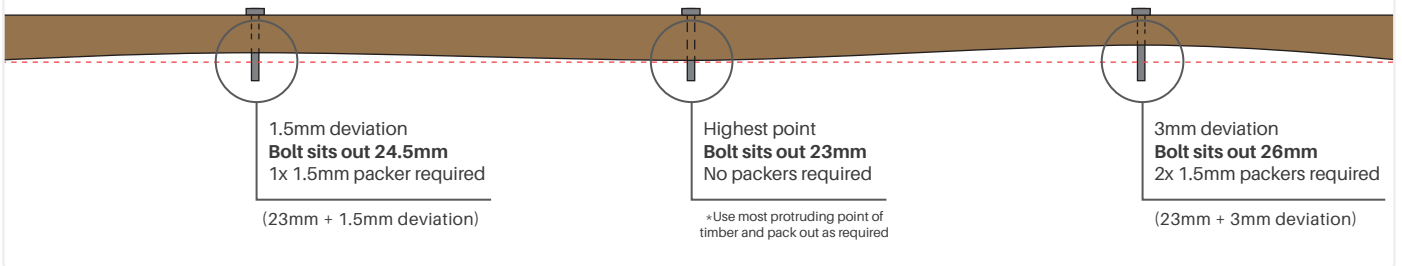
Pre-drill 2x 12.5mm or 13mm holes through joist/beam (hole centres are 60mm)
Insert bolts (with washers) and ensure 23mm of thread protruding from face of joist/beam.
(or as required subject to below diagram)



NOTE: Attach a stringline to the surface from where the first clamp is being installed to where the last clamp is being installed and note any variance in slab deviation. Refer to below example for further information.

Installation example

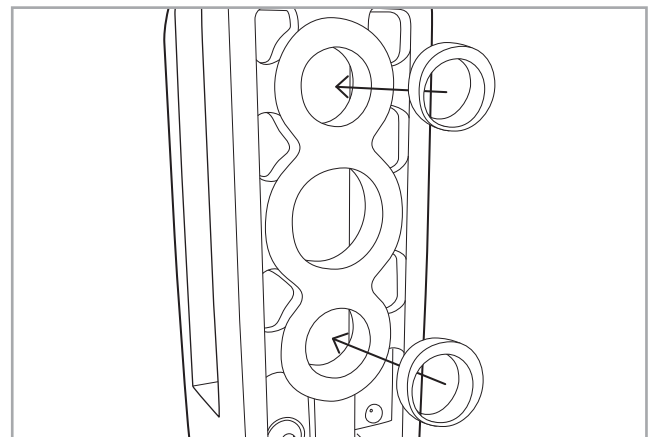
JOIST/BEAM



2

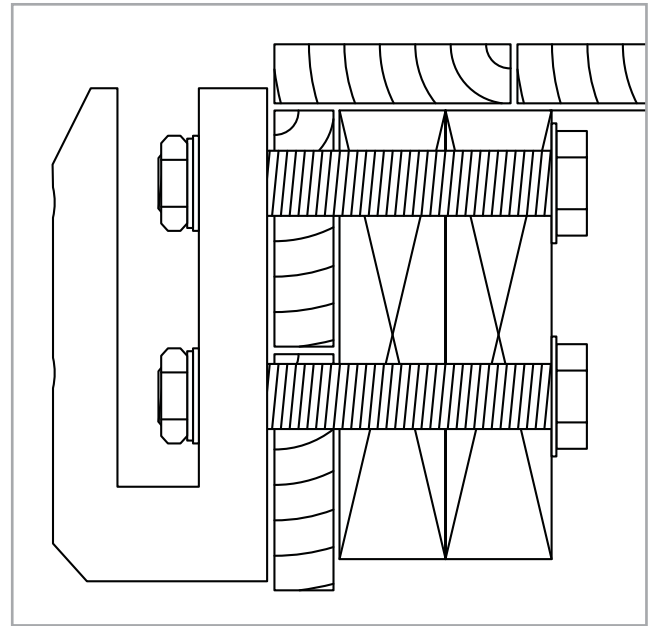
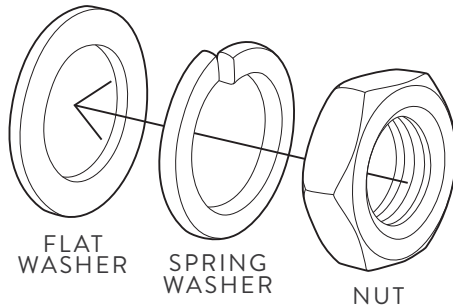
Insert 2x offset washers into top and bottom holes on the back of the spigot. Discard large offset washer.

The offset washers can be rotated inside top and bottom holes to achieve vertical or horizontal adjustment.

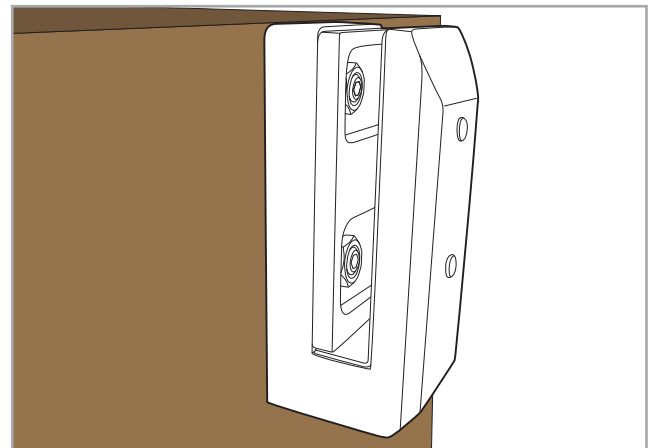


Alternative joist/beam install guide

- 3** Slide spigot with offset washers onto bolts and tighten nuts over flat washers and spring washers.
*Nut requires 19mm open ended/ring spanner



- 4** Take 6.5mm packer with 2x top and bottom cutouts, remove 2x pieces of double sided tape and fit inside throat of spigot over 2x lag screws with nuts



Tips!

Wedge packers can be used in throat of spigot or behind spigot to achieve tilt adjustment

An extra 4mm bottom packer is included which can be used for vertical adjustment

Handy earthing point located at back of spigot for added safety

Friction plate is recessed for easy glass installation

Concrete install guide

What you need for 1x clamp

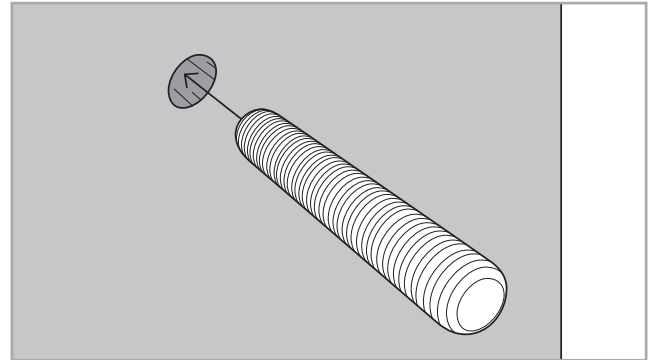
1x Madrid vertical clamp
1x Concrete fixing kit

→ **KIT INCLUDES:**

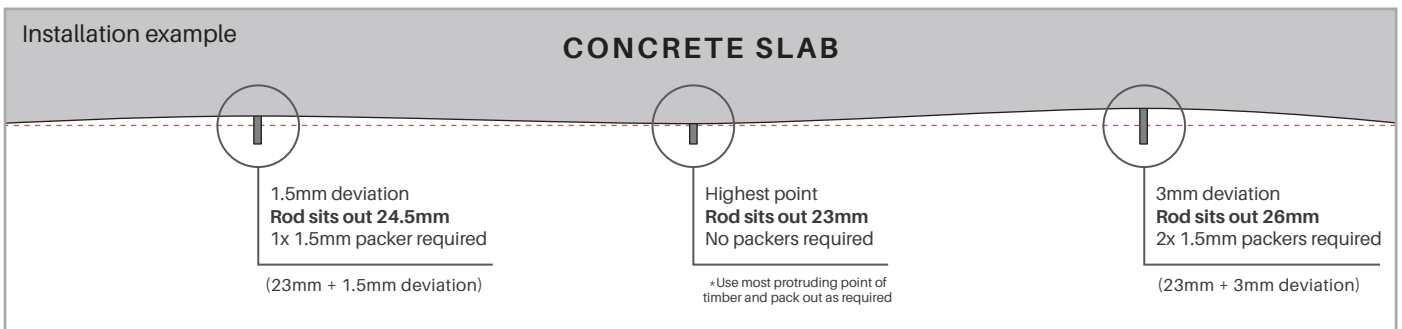
1x M18x120mm threaded rod
1x Flat washer
1x Spring washer
1x Nut (to suit M18 thread)
1x 6.5mm packer with 1 cutout

1

Core drill 20mm holes in concrete slab where spigots will be installed. Insert M18x120mm threaded rods into core holes and ensure rods are sitting out from the slab 23mm. (or as required subject to below diagram) Chemset rods into place.



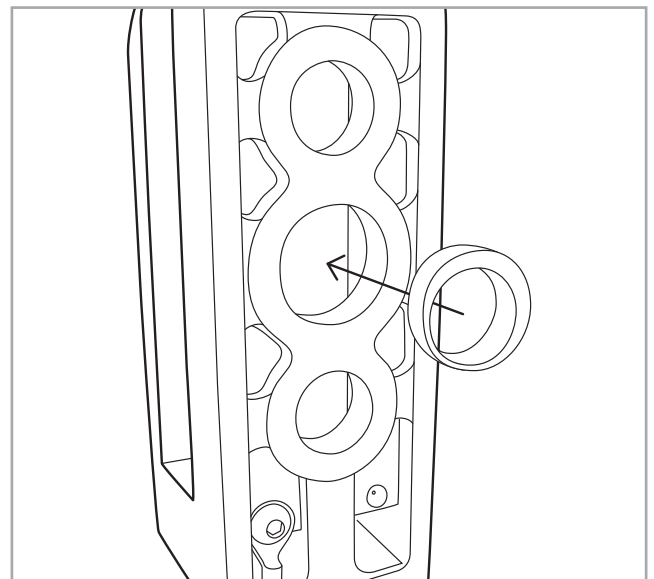
NOTE: Attach a stringline to the concrete surface from where the first clamp is being installed to where the last clamp is being installed and note any variance in slab deviation. Refer to below example for further information.



2

Insert offset washer into centre hole on the back of the spigot. Discard other offset washers

The offset washer can be rotated inside centre hole to achieve vertical or horizontal adjustment

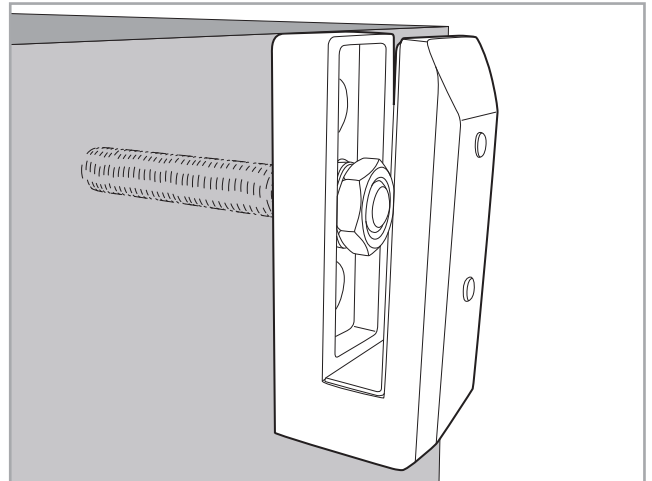
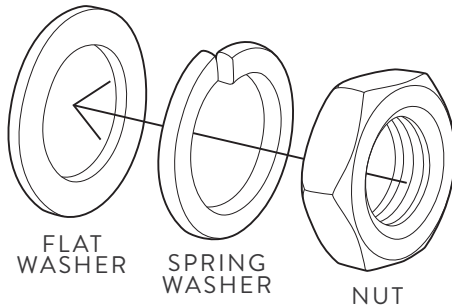


Concrete install guide

3

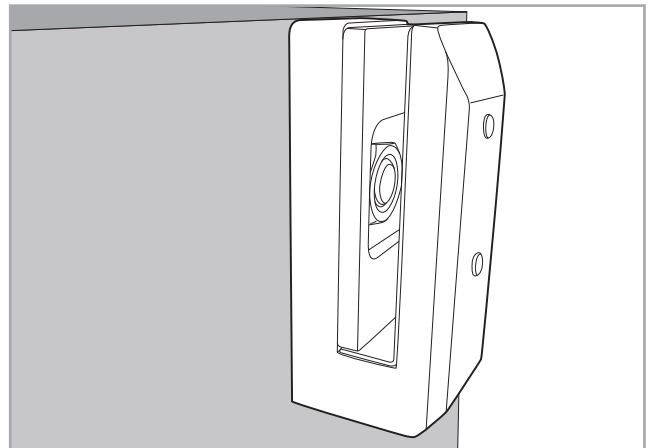
Slide spigot with offset washer onto threaded rod and tighten nut over flat washer and spring washer

*Nut requires 26mm open ended/ring spanner



4

Take 6.5mm packer with centre cutout, remove 2x pieces of double sided tape and fit inside throat of spigot over threaded rod



Tips!

Wedge packers can be used in throat of spigot or behind spigot to achieve tilt adjustment

An extra 4mm bottom packer is included which can be used for vertical adjustment

Handy earthing point located at back of spigot for added safety

Friction plate is recessed for easy glass installation