



DIY GLASS

www.diyglass.com.au

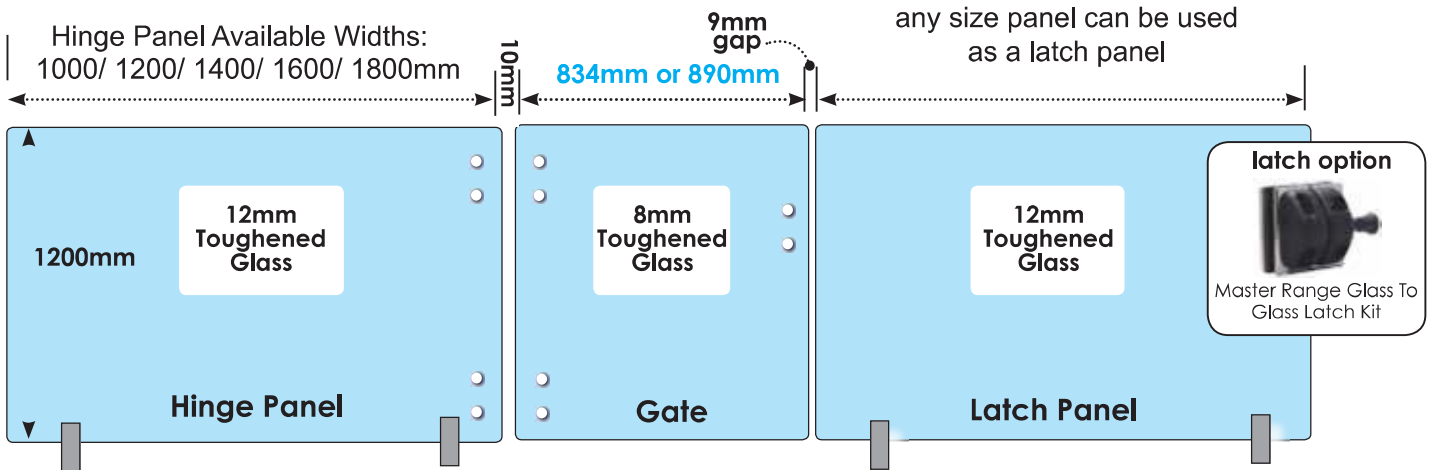


DIY GUIDE

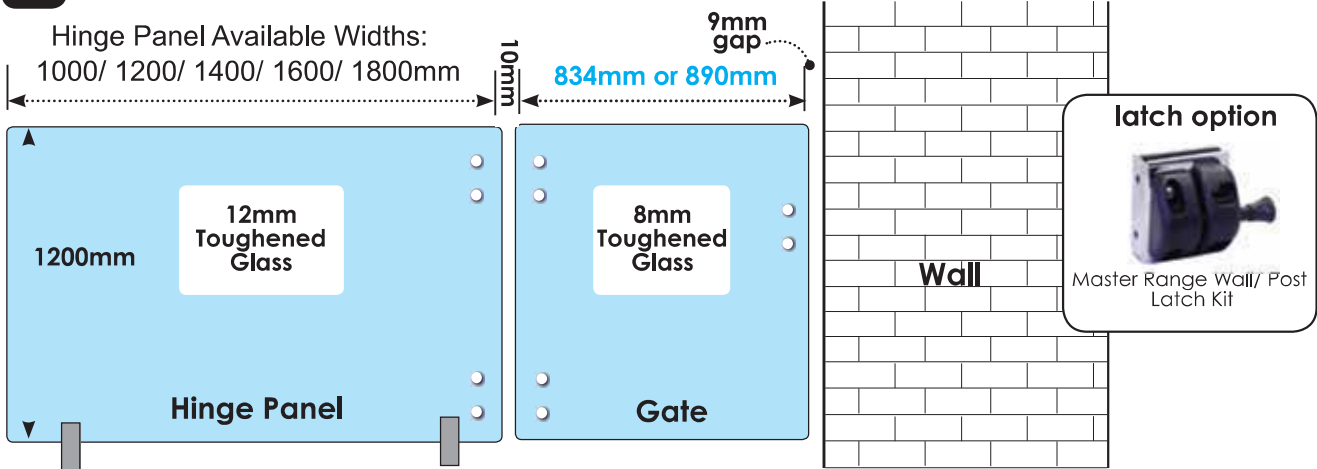


gate layouts

1 Glass To Glass Application



2 Glass To Wall Application

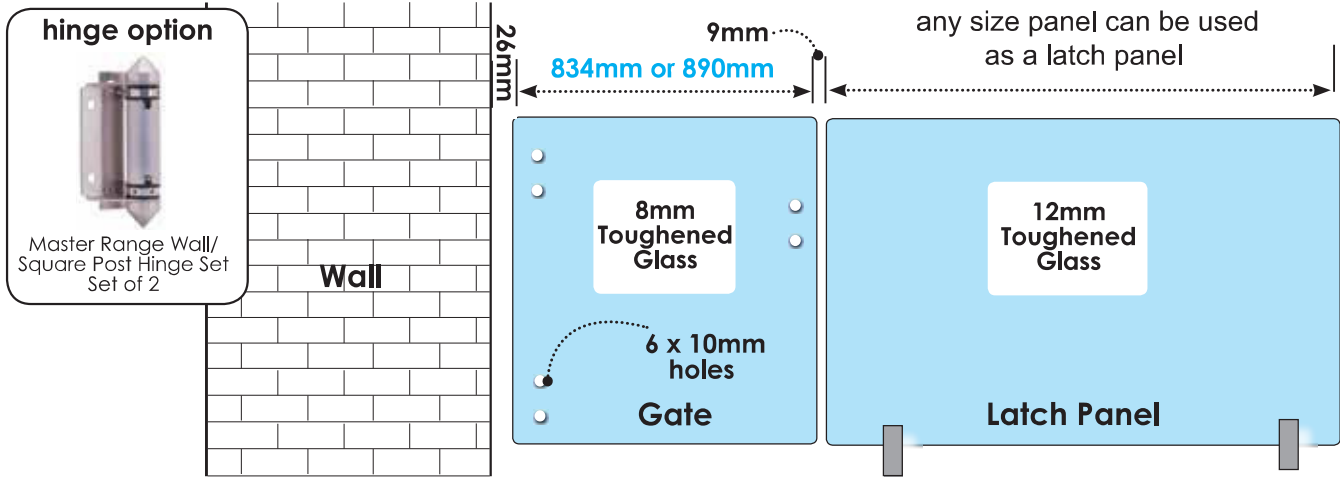


IMPORTANT:
Gate must hinge away from pool

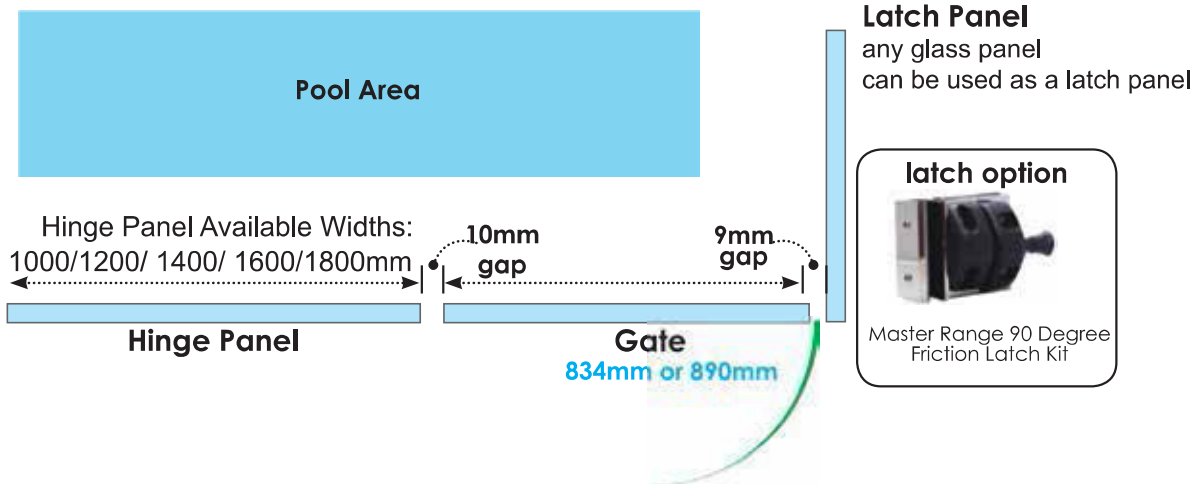


gate layouts

3 Wall To Glass Latch Application



4 Glass To 90 Degree Corner Application



IMPORTANT:
Gate must hinge away from pool

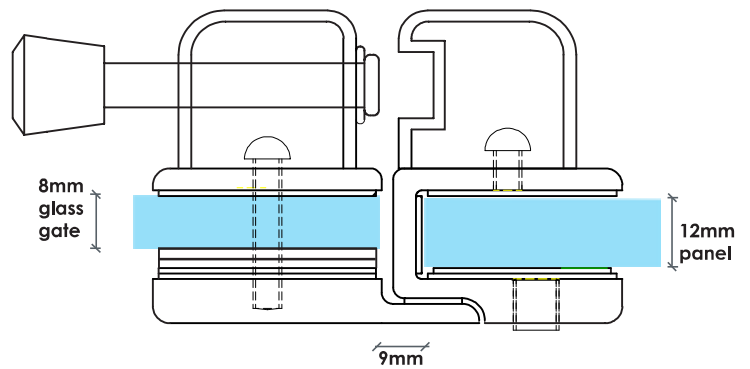
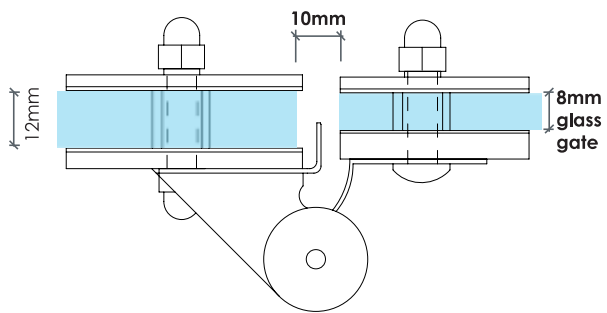
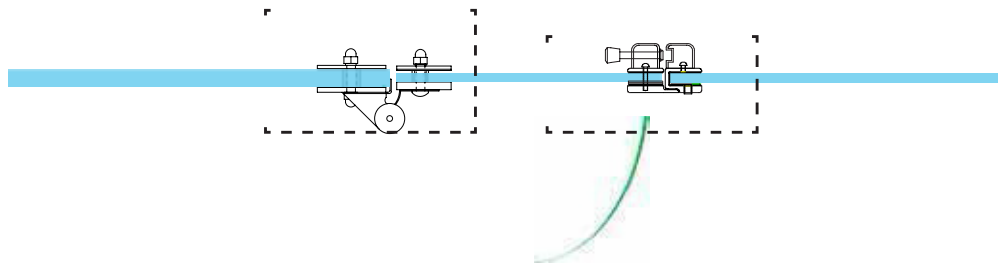
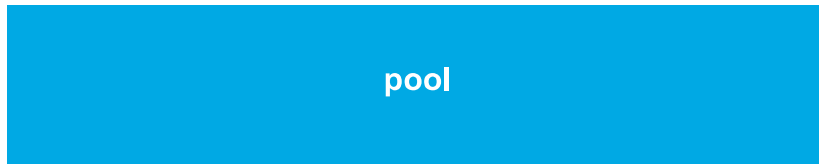


gate hardware installation



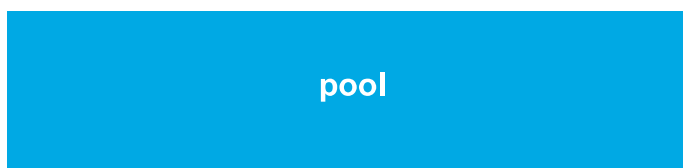
IMPORTANT:
Gate must hinge away from pool

Glass To Glass Application

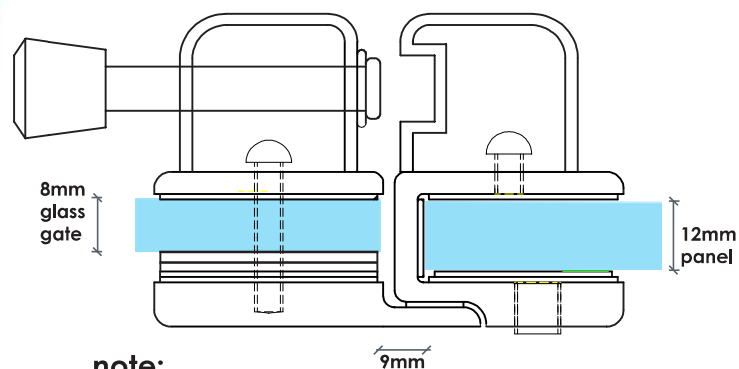
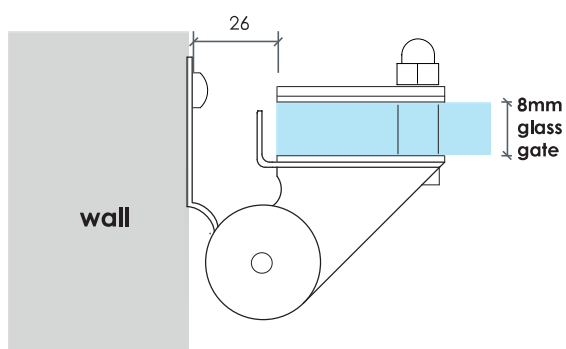


note:
extra packers (supplied) may be required

Glass To Wall Application



IMPORTANT:
Gate must hinge away from pool



note:
extra packers (supplied) may be required



hinge tensioning guide



hinge



70mm tensioning tool



adjustment holes



15mm stop

- 1 With 70mm tension tool, remove the 15mm stop, located in adjustment holes & bolt hinge to the hinge panel & gate
- 2 Install the latch hardware
- 3 Using the 70mm tension tool re-apply tension to spring as required & apply '15mm stop' to adjustment holes



IMPORTANT:

Gate must self close from all opened positions to a latched position